

Data Sheet



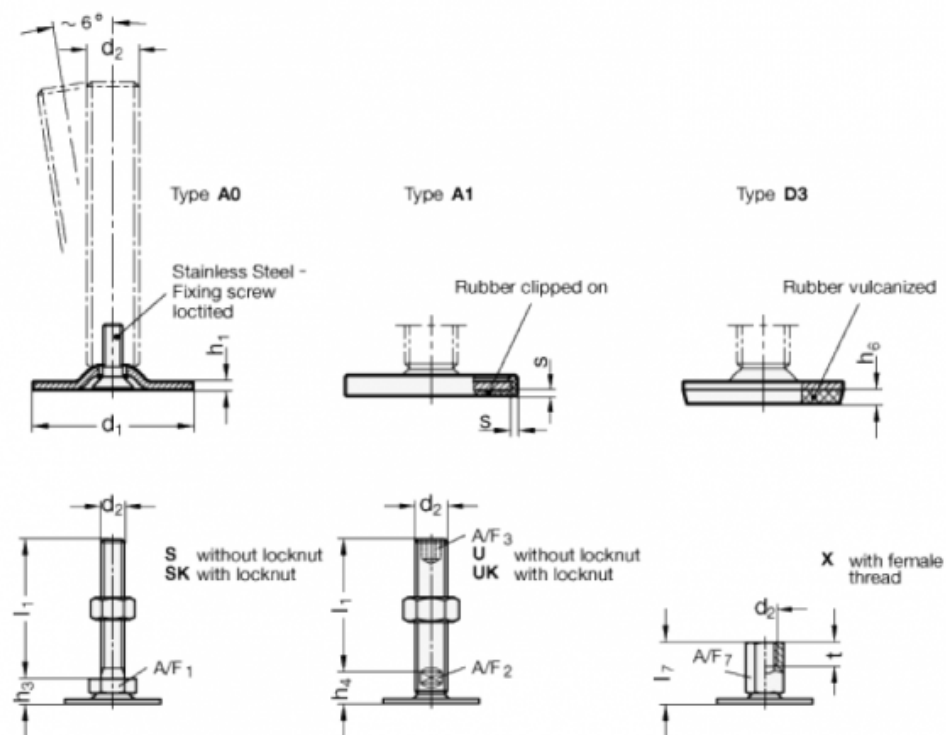
Article number: 204060M1080A3S

Description: E+G levelling foot

GN 40-60-M10-80-A3-S

Note: S Without nut, External hexagon at the bottom

Measures



| | | |
|------|---|-----|
| A/F1 | = | 17 |
| d1 | = | 60 |
| d2 | = | M10 |
| h1 | = | 2.5 |
| h3 | = | 11 |
| h6 | = | 4.5 |
| l1 | = | 80 |
| s | = | |